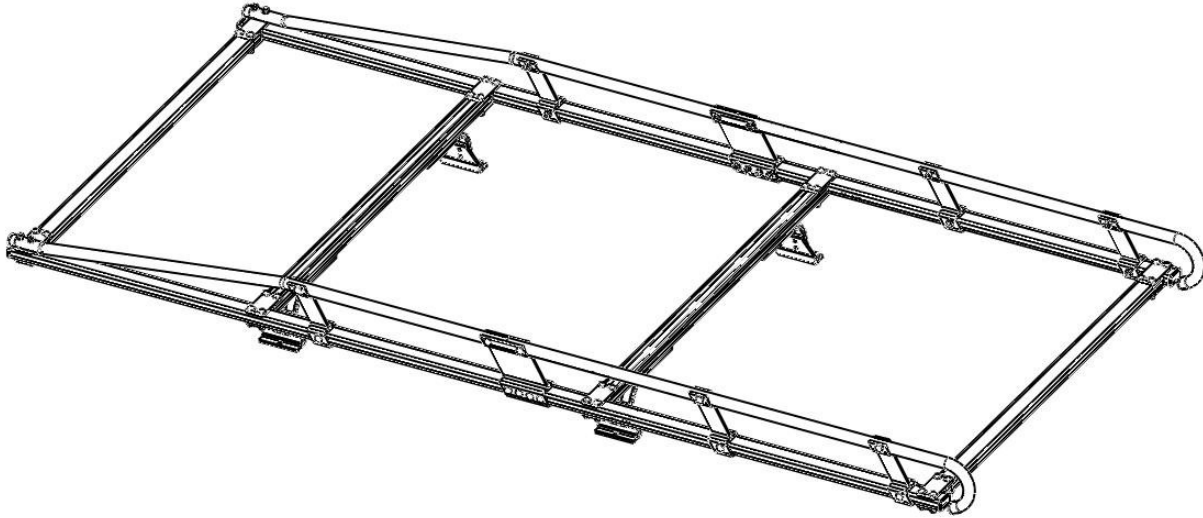




ASSEMBLY INSTRUCTIONS FOR TRANSIT CONNECT RACK



FTC948-1 shown above

Package Contents:

HARDWARE KIT

- (4) 3/8"-16 x 3" CARRIAGE BOLTS
- (16) 3/8"-16 x 2" CARRIAGE BOLTS
- (2) 3/8"-16 x 1-3/4" CARRIAGE BOLTS
- (8) 3/8"-16 x 1-3/4" HEX BOLTS
- (30) 3/8" SPLIT LOCK WASHERS
- (30) 3/8"-16 NUTS
- (12) 5/16" SPLIT LOCK WASHERS
- (8) 5/16" HEX NUTS
- (8) 5/16" X 1" CARRIAGE BOLTS
- (4) RUBBER GASKETS
- (4) M8 x 20MM HEX BOLTS

PARTS

- (1) RAIL DRIVER'S SIDE ASSEMBLY
- (1) RAIL PASSENGER'S ASSEMBLY
- (1) FRONT RECTANGULAR CROSSBAR
- (2) MIDDLE CROSSBAR ASSEMBLIES WITH 'H' BRACKETS
- (1) REAR RECTANGULAR CROSSBAR
- (4) G-MOUNT HINGE ASSEMBLY
- (4) CURVED MOUNT ARM

Before you begin:

Remove all components from the shipping carton.

The rack should be assembled on a padded surface such as carpet to prevent scratching of aluminum surfaces. Remove bands securing components together.

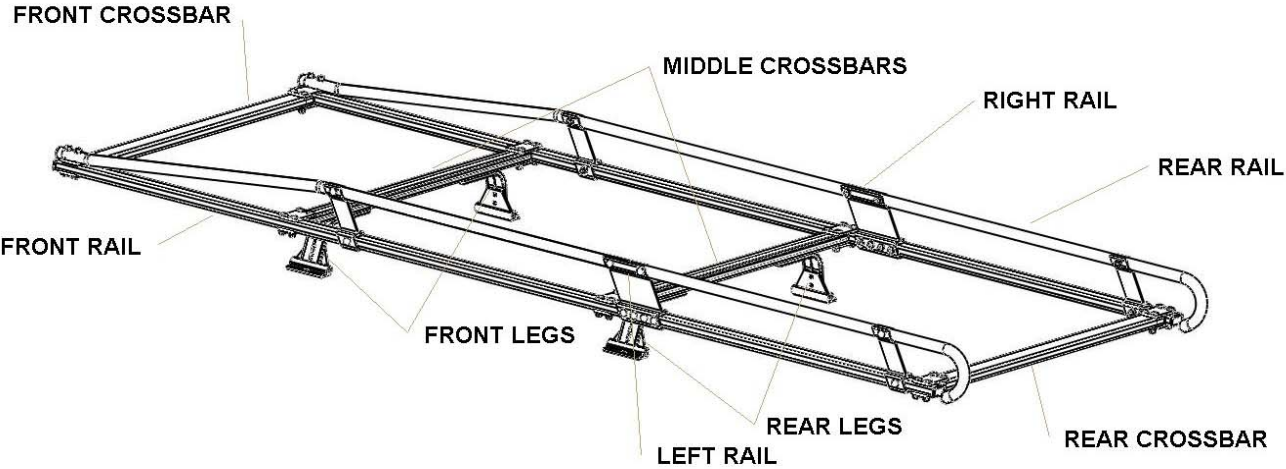
Read the instructions thoroughly to familiarize yourself with the assembly sequence.

Note that you DO NOT tighten any nuts and bolts until the completed rack is installed on the vehicle unless specified. This allows for minor adjustments to the rack during the installation process.

Gather the following tools used to assemble and install the rack.

- 9/16" Sockets or open end wrenches
- 1/2" Sockets or open end wrenches
- Boards (optional)

RACK COMPONENTS



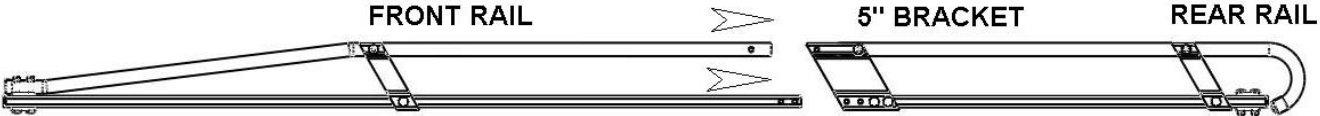
1. Connect front and rear sections

Each side rail side contains a front and rear section preassembled for easier assembly. The front and rear sections are banded together.

Remove the banding and separate the front and rear rail sections from packaging.

On a flat surface, place boards under the front and rear rail sections as shown so that the rear 'H' bracket does not touch the ground. This will make aligning the front and rear rail sections faster.

Insert the front rail section into the 5" bracket mounted on the rear rail section and line up the holes.

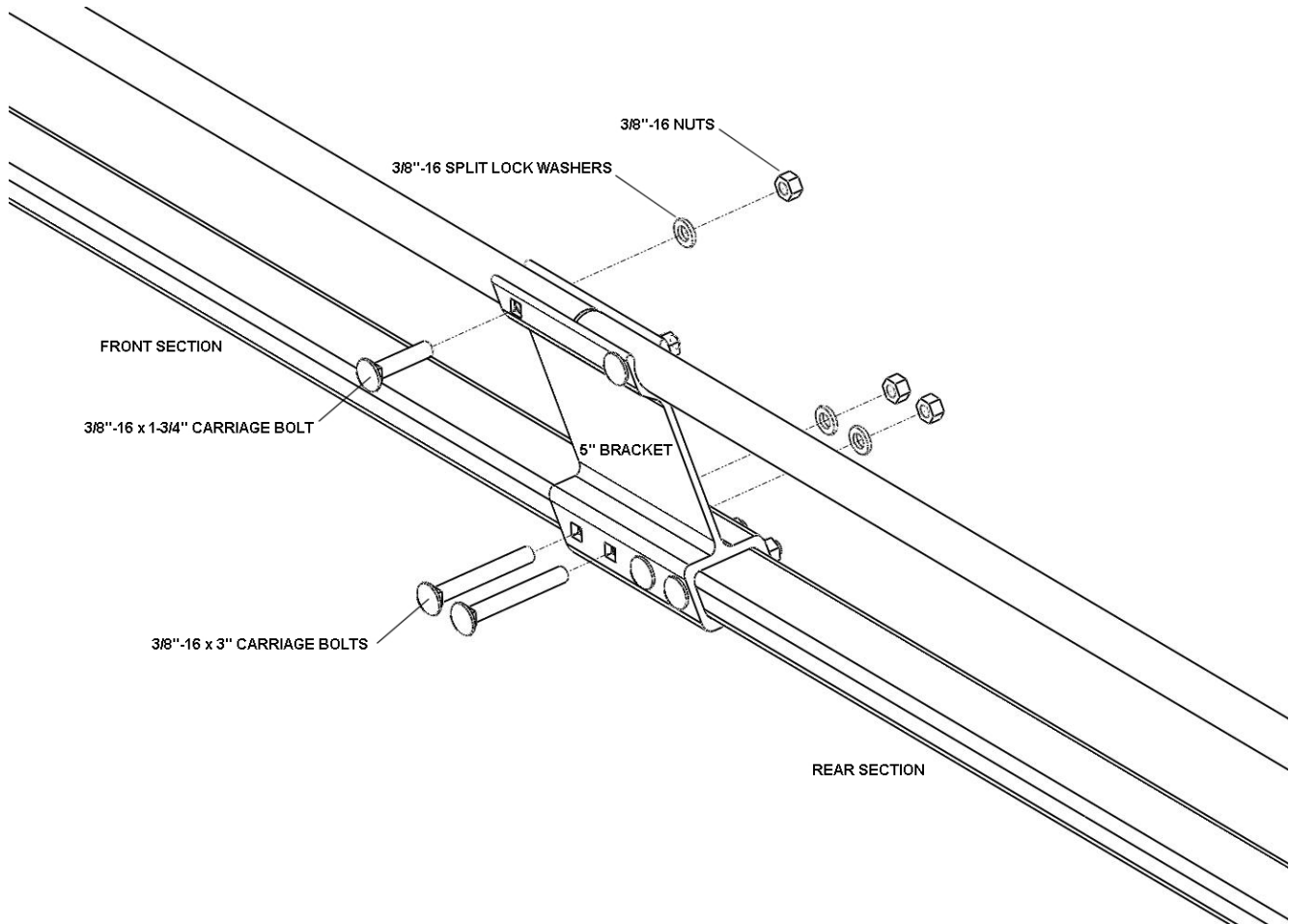


1. Connect front and rear sections (Continued)

Note the orientation of the other carriage bolts on rail assemblies.

For the top round tube, use a 3/8"-16 x 1-3/4" carriage bolt, 3/8" split lock washer and a 3/8"-16 nut, install hardware finger tight. Repeat for other side rail.

For the lower rectangle tube, use (2) 3/8"-16 x 3" carriage bolts, (2) 3/8" split lock washers and (2) 3/8"-16 nuts, install hardware finger tight. Repeat for other side rail.

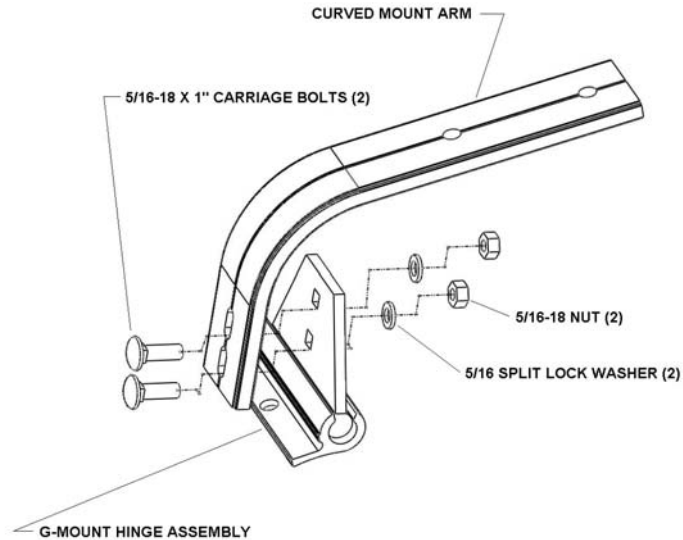


2. Leg assembly

Assemble G-mount hinge to curved mount arm by placing the (2) 5/16"-18 x 1" carriage bolts as shown through the curved mounting arm and G-mount hinge.

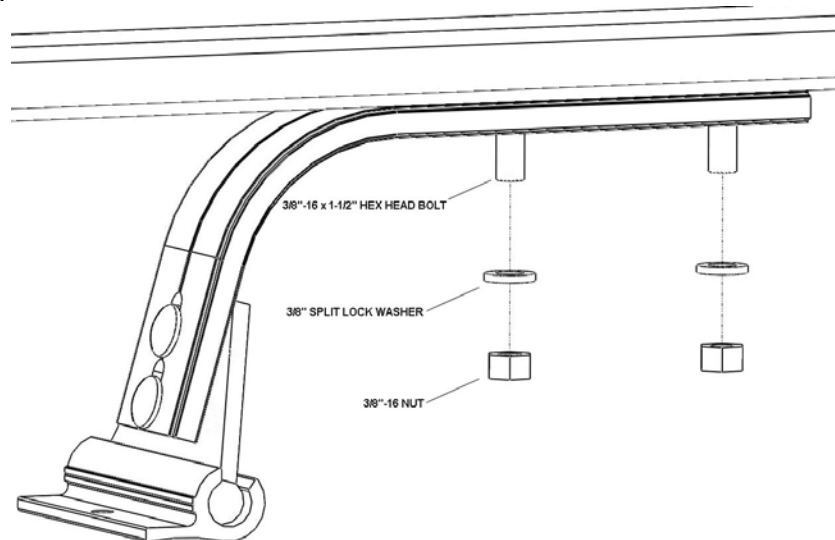
Secure and tighten the curved G-mount arm to the G-mount hinge with (2) 5/16" split lock washer and (2) 5/16"-18 nut.

Repeat for remaining G-mount hinges.



3. Crossbar assembly

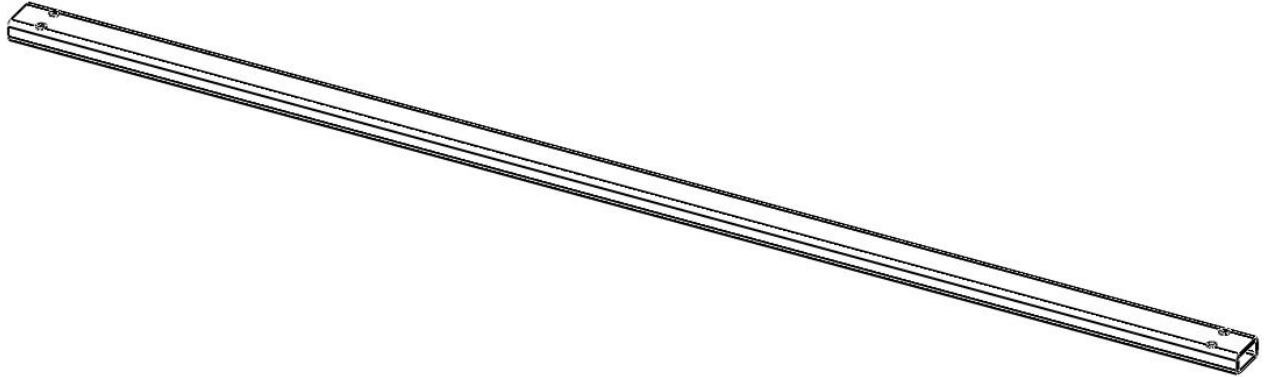
Remove the (4) 3/8" split lock washers and (4) 3/8"-16 nuts from the middle crossbar assemblies. Loosely attach the G-mount assembly to the ribbed crossbars using (2) 3/8" split lock washers and (2) 3/8"-16 nuts for each G-mount. Repeat for other end.



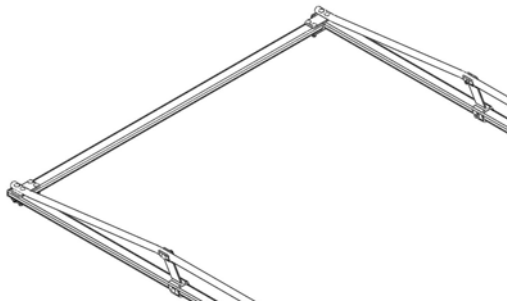
Repeat for remaining ribbed crossbars.

4. Install front Crossbar.

The front crossbar is the smooth rectangle tube with the round bolt holes in each end.

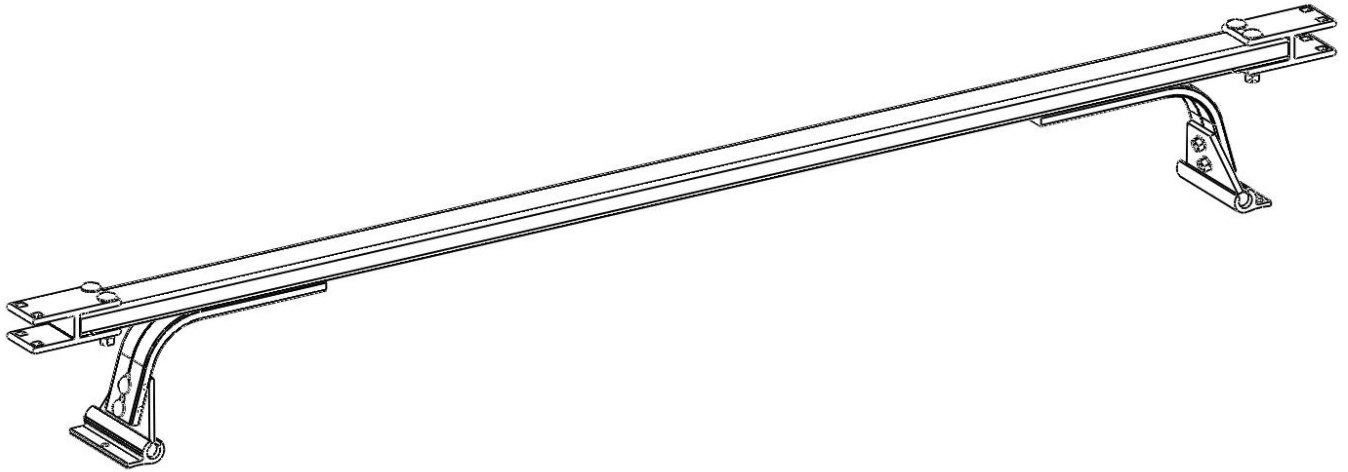


Secure the front crossbar to the 'H' brackets mounted on the side of the front rail sections using (4) 3/8"-16 x 2" carriage bolts, (4) 3/8" split lock washers and (4) 3/8"-16 nuts. Finger tighten only.



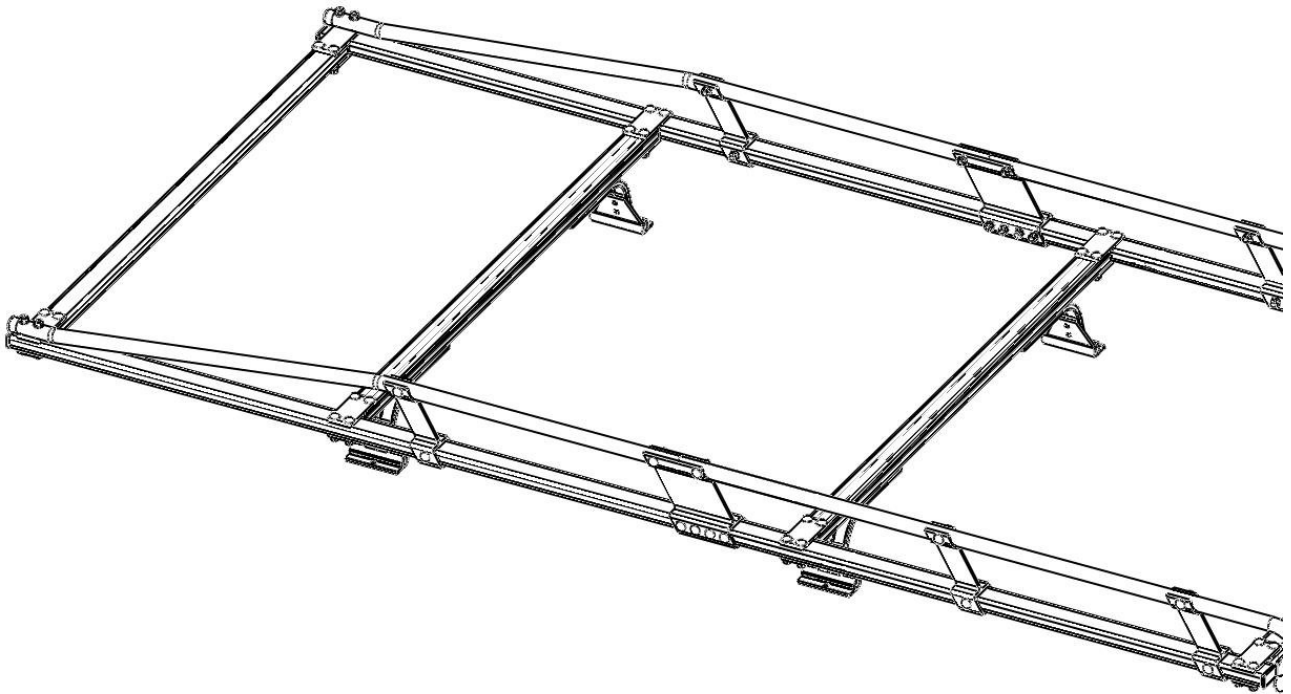
5. Set middle crossbar assemblies in place.

The middle crossbar assemblies are the ribbed rectangle extrusion with a slotted bottom with 'H' brackets attached to each end and legs now attached to the slotted bottom.



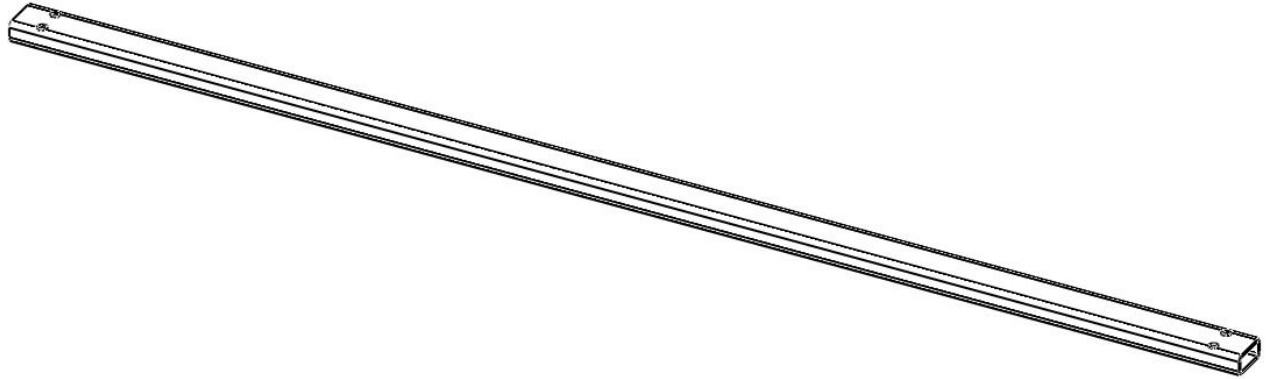
Orientate the crossbar so the ribbed bottom is facing down.

Position the middle crossbar assemblies on the rails and secure with hardware through the pre drilled holes.

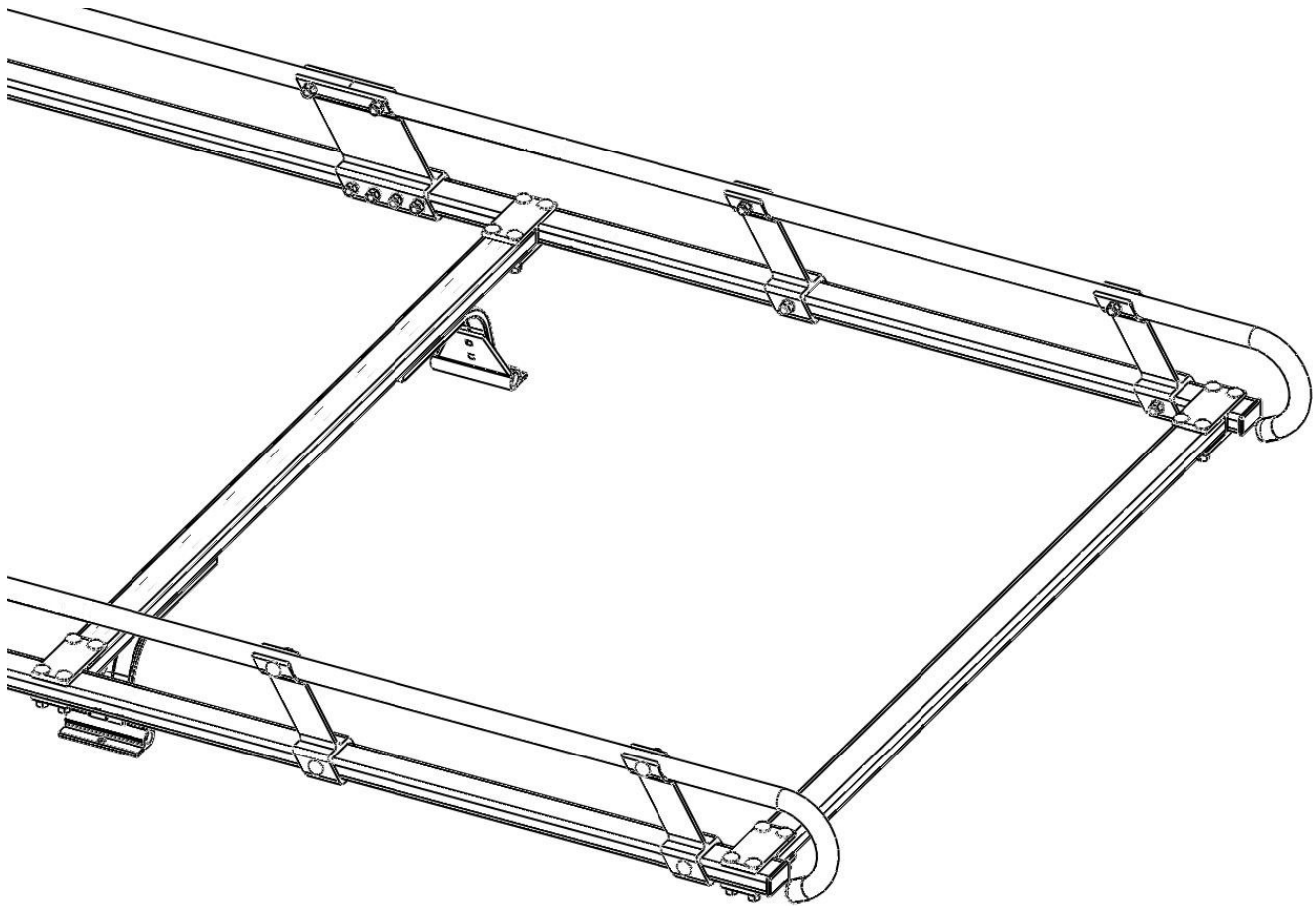


6. Install rear crossbar.

The rear crossbar is the smooth rectangle tube with the round bolt holes in each end.

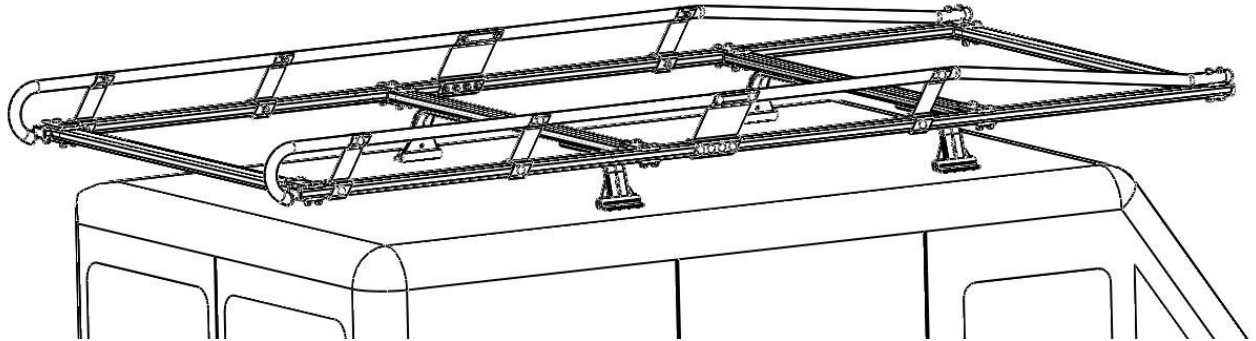


Using (4) 3/8"-16 x 2" carriage bolts, (4) 3/8" split lock washers and (4) 3/8"-16 nuts, secure the rear crossbar to the 'H' brackets mounted at the ends of the rear rails sections. Finger tighten hardware only.



7. Position Rack

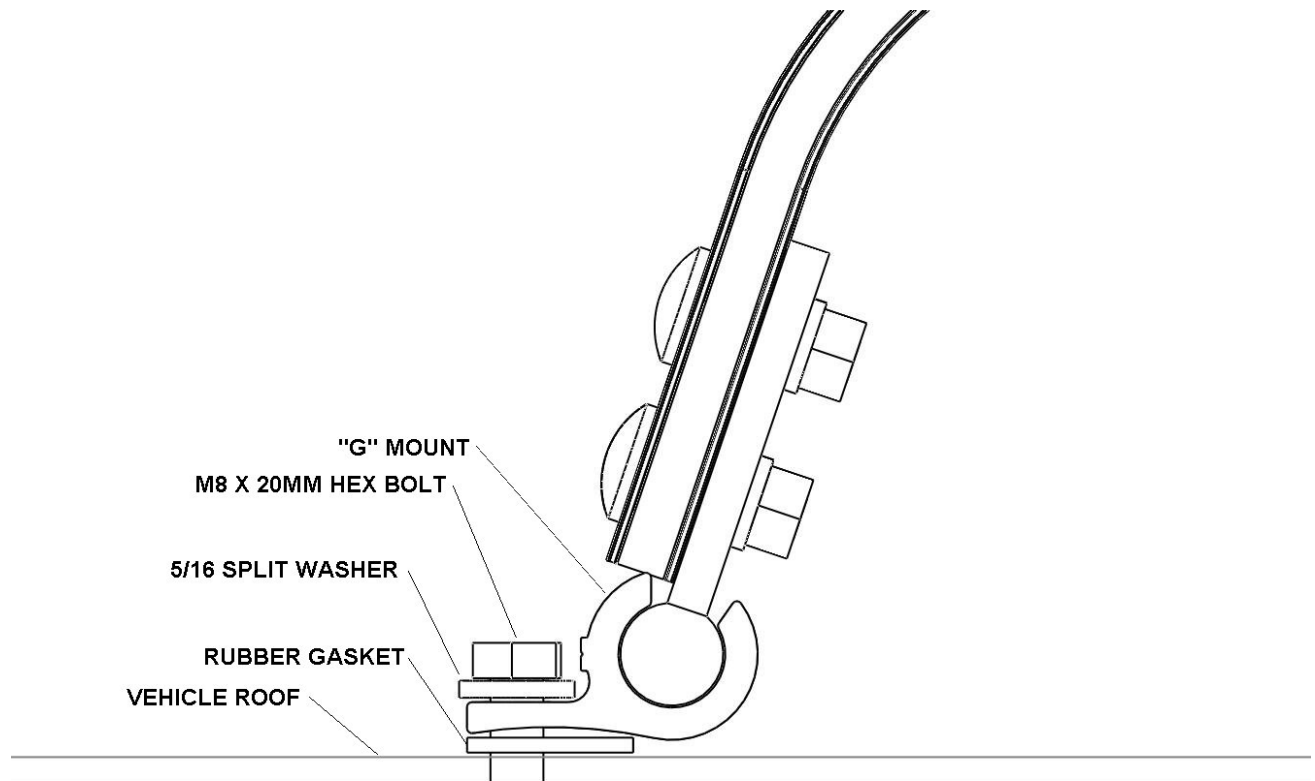
Place rack on vehicle and position rack mounts directly over factory installed threaded inserts.



8. Mounting to vehicle

Place rubber gasket under each mount.

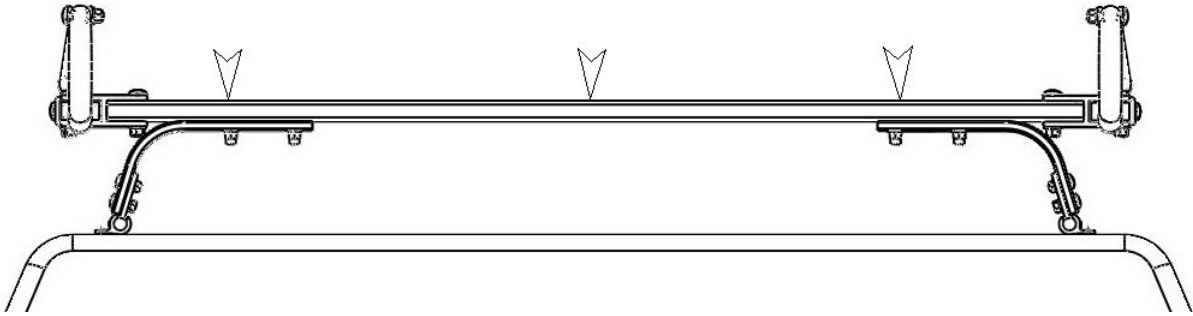
Use M8 x 20mm hex bolts and 5/16" split lock washers to secure rack to vehicle.



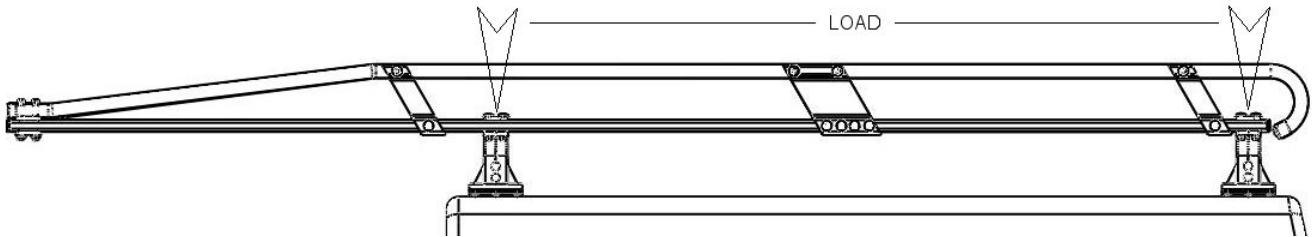
Tighten all nuts, screws and bolts after installation.

9. Check all rack hardware to make sure all nuts and bolts have been tightened.

For best use, spread the load out evenly across the crossbars.



Place the load over the legs between the rear and middle crossbars.



Customer Limited Warranty and Standard Return Policy

Hauler Racks, Inc. offers to preferred customers a special limited warranty. It is our goal to provide effective service for any warranty or standard return. This statement of warranty and return policy is divided into two sections: Warranty Returns of Defective Product and Standard Returns of Unused Product.

Warranty Returns of Defective Product

Hauler Racks, Inc. will repair or replace, at its option and without charge, any properly installed Hauler component that fails due to defect in material or workmanship up to 30 days from the initial registered consumer purchase. All of our aluminum product line is guaranteed not to rust or corrode for 1 year. Proof of Purchase must be provided for warranty to be honored.

Loads should never exceed 1/3 of your vehicle's manufacturer's total load capacity. Loads should never extend more than 1 foot on either end of rack. This warranty is void if any damage to the product is due to misuse, abuse, neglect, accident, improper installation, or any uses contrary to the instructions accompanying the product. The warranty is also void if racks are altered in any manner. The racks have been load tested for the racks capacity to hold loads when not on a vehicle. Hauler Racks, Inc. does not warranty load capacities. As the factory has no way of knowing if the product was properly assembled, installed, used according to instructions, or if loads were secured properly.

This warranty covers the cost of the defective component and not the cost of removal, installation or other incidental charges unless other arrangements have been made with Hauler Racks.

This warranty gives you specific legal rights and you may have other rights which vary from state to state.

All warranty claims must receive a Return Authorization number from Hauler Racks, Inc. BEFORE the product is returned to the Company. Please follow this procedure:

1. Call Hauler at 800-843-5445 to request a Return Authorization number. You will need to provide the following information
 - Specific nature of the defect
 - Product installation date
 - Product part number
 - Original sales invoice number
2. When a replacement or repair strategy is determined, a Return Authorization number will be assigned to the claim.
3. A replacement invoice and shipping document will be generated at Hauler Racks to initiate any replacement product. Replacement product will be sent according to standard shipping cycles.
4. The purchaser is responsible for packing and return shipping of the product. The RETURN AUTHORIZATION NUMBER MUST BE CLEARLY MARKED ON THE OUTSIDE OF THE PACKAGE. Unmarked packages will be refused. Any product damage that occurs during the shipping is not covered under warranty. The purchaser must pursue claims for shipping damage with the shipping center.
5. The purchaser is responsible for payment of both the original product invoice and the replacement invoice according to established credit terms.
6. Upon receipt of the returned product, Hauler Racks will review the claim for warranty conformance. If the claim meets warranty criteria, a credit for the original invoice amount will be posted to the purchaser's account and a credit memo will be mailed. If the claim does not meet warranty criteria, the purchaser will receive a statement detailing reasons for partial credit or denial. At the purchaser's option, denied product may be returned to the purchaser.

Standard Returns of Unused Product

Unused product may be eligible for return to Hauler Racks, Inc. Follow the procedure described in the section on Warranty Returns to receive an Authorization Number.

Returned product which is less than 6 (six) months old is subject to a 20% restocking fee.

Returned product which is more than 6 (six) months old may not be eligible for return or may incur additional restocking charges.